

Architectural Downlighting

OM6LED 2000
6" LED

1900-2450 Lumen Downlight



Specifier's Reference

Project
Type
Model No.
Comments

application

- Philips Omega Revelation LED combines MesoOptics® diffusion with the proprietary remote phosphor technology to produce one of the most efficient and advanced LED systems available for general illumination.

light engine

- Philips Omega mixing chamber/optical assembly: Remote phosphor technology provides increased efficiency and color stability by redirecting back reflected light. Phosphor lens assembly converts high brightness blue light into white light for an even, diffused pattern, eliminating bright spots often created by individual LEDs. This technology provides consistent, stable color with CCT color control of +/- 100K over the life of the light engine and provides 20% higher efficiency.
- LED Array: The LED Array consists of a metal core circuit board with 22 high brightness royal blue LEDs.
- Color: Available in three CCT options, 3000K, 3500K or 4000K with 80CRI +/-2%.
- Electrical: The power supply/driver features Advance Intelli-volt 120-277VAC 50/60Hz, with 0-10V analog dimming capability. The power supply is overload and short circuit protected as well as thermally regulated to prevent overheating. Sound rating A. Refer to dimming compatibility spec sheet for complete details. Driver has rated lifetime of 50,000 hours.
- Lifetime/Lumen Maintenance: 60,000 hour lifetime at 70% lumen maintenance light engine.

construction

- Thermal Management: A proprietary die-cast aluminum heat sink allows for easy and tool-less installation to the housing yoke. The heat sink is designed to properly maintain junction temperatures in recessed Non-IC applications to provide reliable performance over the life of the light engine. The heat sink incorporates alignment tabs to properly position the heat sink with the housing and rust resistant springs to secure the heat sink and reflector.

- Housing: Precision die stamped 18ga galvanized steel mounting pan and yoke assembly. Allows for ceiling thickness up to 1-3/8". Yoke supports weight of heat sink and light engine assembly to prevent stress on finished reflector.
- Reflector: The lower trim is die-formed of 0.40 low iridescent aluminum and is self-flanged with a variety of finishes available. White flange is standard. Optional polished flange matching trim finish is available, add FF to the catalog number.
- C-Channels: Philips Omega Revelation C-Channels are included and provide vertical and horizontal adjustments. These allow for fast and adjustment free installation in T-bar ceilings with 1/2" tile. C-Channels simply snap on grid for proper alignment in 24" O.C. grid systems.
- Junction Box: 16 ga galvanized steel. UL listed for 8 No. 12 AWG, 90C through branch circuit conductors. Allows inspection below ceiling.
- Service: Modular construction allows for easy maintenance of complete system below ceiling. Removing reflector provides easy access to heat sink and light engine assembly. This assembly may be removed by de-pressing the springs which attach to the yoke and then simply opening protective cover and unplugging the push in connector from the LED board.

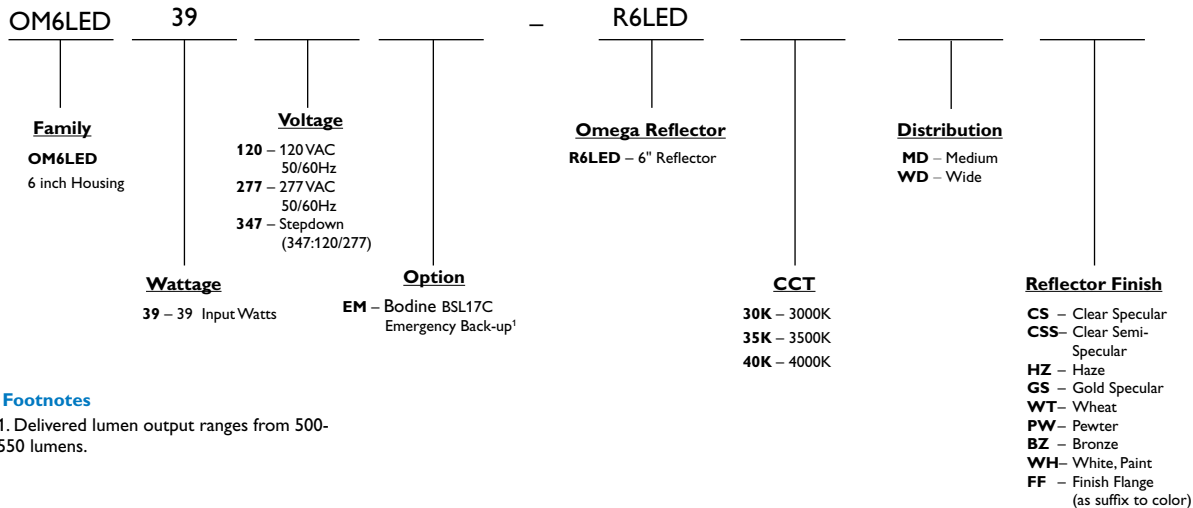
listings & warranty

- ETL, cUL Listed. (Suitable for wet location applications.)
- Photometric testing performed using IESNA - LM79 procedures. LED lifetime testing performed using IESNA - LM80 procedures.
- 5 year Warranty

Green Choice: OM6LED39120-R6LED30KMDCS

HOUSING

LIGHT ENGINE - REFLECTOR



Footnotes

1. Delivered lumen output ranges from 500-550 lumens.

General Notes

Lumen output varies depending on CCT and distribution, refer to specific IES files for details

Accessories (ordered separately)

- SA6** - Slope ceiling adapter (specify in 5° increments up to 30°)
- OMTCA6** - Thick ceiling adapter (specify finish to match reflector, ie. CS)

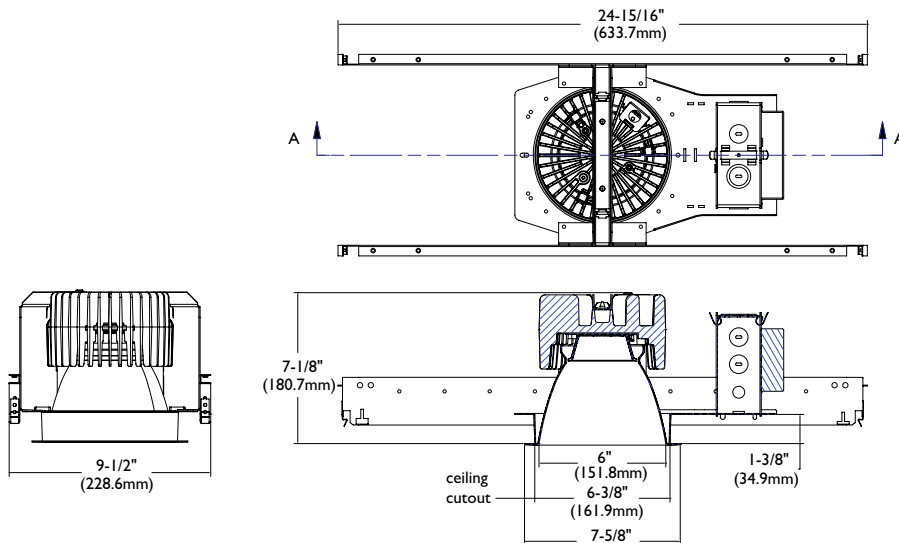
General Notes

Lumen output varies depending on CCT and distribution, refer to specific IES files for details

energy data

Input Voltage	Input Current	Drive Current	Input Power	LED Power	THD %	Power Factor
120	0.36	350mA	39	35.4	10%	>0.9
277	0.17	520mA	39	35.4	10%	>0.9

dimensions



photometrics

OM6LED39120-R6LED35KMDCS

Tested to LM-79 standards.

Clear Specular Reflector Test No. 19273 S/MH (0 degree plane) .86 Lamp Type (1) 22 Royal Blue LEDs Total Fixture Lumens 2102 IES File LTL19273 Input Watts 39 Beam Angle 59.30 Luminaire Efficacy 52.6 LPW	Candela <table border="1"> <thead> <tr> <th>Degrees</th> <th>At 0°</th> <th>At 90°</th> <th>Foot Lamberts</th> </tr> </thead> <tbody> <tr><td>90</td><td>0</td><td>0</td><td></td></tr> <tr><td>85</td><td>0</td><td>0</td><td>0</td></tr> <tr><td>75</td><td>1</td><td>1</td><td>62</td></tr> <tr><td>65</td><td>1</td><td>1</td><td>38</td></tr> <tr><td>55</td><td>3</td><td>3</td><td>84</td></tr> <tr><td>45</td><td>77</td><td>77</td><td>1742</td></tr> <tr><td>35</td><td>517</td><td>517</td><td></td></tr> <tr><td>25</td><td>1978</td><td>1978</td><td></td></tr> <tr><td>15</td><td>2194</td><td>2194</td><td></td></tr> <tr><td>5</td><td>2321</td><td>2321</td><td></td></tr> <tr><td>0</td><td>2352</td><td>2352</td><td></td></tr> </tbody> </table>	Degrees	At 0°	At 90°	Foot Lamberts	90	0	0		85	0	0	0	75	1	1	62	65	1	1	38	55	3	3	84	45	77	77	1742	35	517	517		25	1978	1978		15	2194	2194		5	2321	2321		0	2352	2352		Lighting Performance Data <table border="1"> <thead> <tr> <th>Ceiling Height (feet)</th> <th>Initial Footcandles</th> <th>Beam Diameter (Ft/In)</th> </tr> </thead> <tbody> <tr><td>8</td><td>77.8</td><td>6 - 3</td></tr> <tr><td>10</td><td>41.8</td><td>8 - 6</td></tr> <tr><td>12</td><td>26.1</td><td>10 - 10</td></tr> <tr><td>14</td><td>17.8</td><td>13 - 1</td></tr> <tr><td>16</td><td>12.9</td><td>15 - 4</td></tr> </tbody> </table>			Ceiling Height (feet)	Initial Footcandles	Beam Diameter (Ft/In)	8	77.8	6 - 3	10	41.8	8 - 6	12	26.1	10 - 10	14	17.8	13 - 1	16	12.9	15 - 4																						
		Degrees	At 0°	At 90°	Foot Lamberts																																																																																							
		90	0	0																																																																																								
		85	0	0	0																																																																																							
		75	1	1	62																																																																																							
		65	1	1	38																																																																																							
		55	3	3	84																																																																																							
		45	77	77	1742																																																																																							
		35	517	517																																																																																								
		25	1978	1978																																																																																								
15	2194	2194																																																																																										
5	2321	2321																																																																																										
0	2352	2352																																																																																										
Ceiling Height (feet)	Initial Footcandles	Beam Diameter (Ft/In)																																																																																										
8	77.8	6 - 3																																																																																										
10	41.8	8 - 6																																																																																										
12	26.1	10 - 10																																																																																										
14	17.8	13 - 1																																																																																										
16	12.9	15 - 4																																																																																										
Coefficients of Utilization <table border="1"> <thead> <tr> <th rowspan="2">pcc</th> <th colspan="2">80</th> <th colspan="2">70</th> <th colspan="2">50</th> </tr> <tr> <th>50</th> <th>30</th> <th>50</th> <th>30</th> <th>50</th> <th>30</th> </tr> </thead> <tbody> <tr><td>0</td><td>118</td><td>118</td><td>118</td><td>118</td><td>115</td><td>115</td></tr> <tr><td>1</td><td>113</td><td>111</td><td>109</td><td>107</td><td>111</td><td>109</td></tr> <tr><td>2</td><td>109</td><td>104</td><td>100</td><td>96</td><td>106</td><td>102</td></tr> <tr><td>3</td><td>103</td><td>96</td><td>93</td><td>89</td><td>101</td><td>95</td></tr> <tr><td>4</td><td>97</td><td>91</td><td>85</td><td>81</td><td>96</td><td>90</td></tr> <tr><td>5</td><td>93</td><td>85</td><td>80</td><td>76</td><td>92</td><td>84</td></tr> <tr><td>6</td><td>89</td><td>81</td><td>75</td><td>70</td><td>88</td><td>80</td></tr> <tr><td>7</td><td>84</td><td>76</td><td>70</td><td>66</td><td>83</td><td>76</td></tr> <tr><td>8</td><td>81</td><td>71</td><td>66</td><td>61</td><td>80</td><td>70</td></tr> <tr><td>9</td><td>77</td><td>68</td><td>63</td><td>58</td><td>76</td><td>68</td></tr> <tr><td>10</td><td>73</td><td>65</td><td>58</td><td>55</td><td>72</td><td>64</td></tr> </tbody> </table>			pcc	80		70		50		50	30	50	30	50	30	0	118	118	118	118	115	115	1	113	111	109	107	111	109	2	109	104	100	96	106	102	3	103	96	93	89	101	95	4	97	91	85	81	96	90	5	93	85	80	76	92	84	6	89	81	75	70	88	80	7	84	76	70	66	83	76	8	81	71	66	61	80	70	9	77	68	63	58	76	68	10	73	65	58	55	72	64
pcc	80			70		50																																																																																						
	50	30	50	30	50	30																																																																																						
0	118	118	118	118	115	115																																																																																						
1	113	111	109	107	111	109																																																																																						
2	109	104	100	96	106	102																																																																																						
3	103	96	93	89	101	95																																																																																						
4	97	91	85	81	96	90																																																																																						
5	93	85	80	76	92	84																																																																																						
6	89	81	75	70	88	80																																																																																						
7	84	76	70	66	83	76																																																																																						
8	81	71	66	61	80	70																																																																																						
9	77	68	63	58	76	68																																																																																						
10	73	65	58	55	72	64																																																																																						

OM6LED39120-R6LED35KWDCS

Tested to LM-79 standards.

Clear Specular Reflector Test No. 19277 S/MH (0 degree plane) 1.2 Lamp Type (1) 22 Royal Blue LEDs Total Fixture Lumens 2391 IES File LTL19277 Input Watts 39 Beam Angle 82.27 Luminaire Efficacy 59.8 LPW	Candela <table border="1"> <thead> <tr> <th>Degrees</th> <th>At 0°</th> <th>At 90°</th> <th>Foot Lamberts</th> </tr> </thead> <tbody> <tr><td>90</td><td>0</td><td>0</td><td></td></tr> <tr><td>85</td><td>0</td><td>0</td><td>0</td></tr> <tr><td>75</td><td>1</td><td>1</td><td>62</td></tr> <tr><td>65</td><td>2</td><td>2</td><td>76</td></tr> <tr><td>55</td><td>8</td><td>8</td><td>223</td></tr> <tr><td>45</td><td>310</td><td>310</td><td>7014</td></tr> <tr><td>35</td><td>1243</td><td>1243</td><td></td></tr> <tr><td>25</td><td>1600</td><td>1600</td><td></td></tr> <tr><td>15</td><td>1621</td><td>1621</td><td></td></tr> <tr><td>5</td><td>1502</td><td>1502</td><td></td></tr> <tr><td>0</td><td>1501</td><td>1501</td><td></td></tr> </tbody> </table>	Degrees	At 0°	At 90°	Foot Lamberts	90	0	0		85	0	0	0	75	1	1	62	65	2	2	76	55	8	8	223	45	310	310	7014	35	1243	1243		25	1600	1600		15	1621	1621		5	1502	1502		0	1501	1501		Lighting Performance Data <table border="1"> <thead> <tr> <th>Ceiling Height (feet)</th> <th>Initial Footcandles</th> <th>Beam Diameter (Ft/In)</th> </tr> </thead> <tbody> <tr><td>8</td><td>49.6</td><td>9 - 7</td></tr> <tr><td>10</td><td>26.7</td><td>13 - 1</td></tr> <tr><td>12</td><td>16.6</td><td>16 - 7</td></tr> <tr><td>14</td><td>11.3</td><td>20 - 1</td></tr> <tr><td>16</td><td>8.2</td><td>23 - 7</td></tr> </tbody> </table>			Ceiling Height (feet)	Initial Footcandles	Beam Diameter (Ft/In)	8	49.6	9 - 7	10	26.7	13 - 1	12	16.6	16 - 7	14	11.3	20 - 1	16	8.2	23 - 7																						
		Degrees	At 0°	At 90°	Foot Lamberts																																																																																							
		90	0	0																																																																																								
		85	0	0	0																																																																																							
		75	1	1	62																																																																																							
		65	2	2	76																																																																																							
		55	8	8	223																																																																																							
		45	310	310	7014																																																																																							
		35	1243	1243																																																																																								
		25	1600	1600																																																																																								
15	1621	1621																																																																																										
5	1502	1502																																																																																										
0	1501	1501																																																																																										
Ceiling Height (feet)	Initial Footcandles	Beam Diameter (Ft/In)																																																																																										
8	49.6	9 - 7																																																																																										
10	26.7	13 - 1																																																																																										
12	16.6	16 - 7																																																																																										
14	11.3	20 - 1																																																																																										
16	8.2	23 - 7																																																																																										
Coefficients of Utilization <table border="1"> <thead> <tr> <th rowspan="2">pcc</th> <th colspan="2">80</th> <th colspan="2">70</th> <th colspan="2">50</th> </tr> <tr> <th>50</th> <th>30</th> <th>50</th> <th>30</th> <th>50</th> <th>30</th> </tr> </thead> <tbody> <tr><td>0</td><td>118</td><td>118</td><td>118</td><td>118</td><td>115</td><td>115</td></tr> <tr><td>1</td><td>112</td><td>110</td><td>107</td><td>105</td><td>111</td><td>108</td></tr> <tr><td>2</td><td>107</td><td>102</td><td>96</td><td>93</td><td>105</td><td>100</td></tr> <tr><td>3</td><td>101</td><td>93</td><td>88</td><td>83</td><td>98</td><td>92</td></tr> <tr><td>4</td><td>94</td><td>86</td><td>80</td><td>76</td><td>93</td><td>84</td></tr> <tr><td>5</td><td>89</td><td>80</td><td>73</td><td>68</td><td>88</td><td>79</td></tr> <tr><td>6</td><td>83</td><td>73</td><td>68</td><td>63</td><td>81</td><td>72</td></tr> <tr><td>7</td><td>79</td><td>68</td><td>61</td><td>57</td><td>78</td><td>68</td></tr> <tr><td>8</td><td>75</td><td>64</td><td>56</td><td>53</td><td>72</td><td>63</td></tr> <tr><td>9</td><td>69</td><td>59</td><td>53</td><td>48</td><td>68</td><td>58</td></tr> <tr><td>10</td><td>66</td><td>56</td><td>48</td><td>45</td><td>65</td><td>55</td></tr> </tbody> </table>			pcc	80		70		50		50	30	50	30	50	30	0	118	118	118	118	115	115	1	112	110	107	105	111	108	2	107	102	96	93	105	100	3	101	93	88	83	98	92	4	94	86	80	76	93	84	5	89	80	73	68	88	79	6	83	73	68	63	81	72	7	79	68	61	57	78	68	8	75	64	56	53	72	63	9	69	59	53	48	68	58	10	66	56	48	45	65	55
pcc	80			70		50																																																																																						
	50	30	50	30	50	30																																																																																						
0	118	118	118	118	115	115																																																																																						
1	112	110	107	105	111	108																																																																																						
2	107	102	96	93	105	100																																																																																						
3	101	93	88	83	98	92																																																																																						
4	94	86	80	76	93	84																																																																																						
5	89	80	73	68	88	79																																																																																						
6	83	73	68	63	81	72																																																																																						
7	79	68	61	57	78	68																																																																																						
8	75	64	56	53	72	63																																																																																						
9	69	59	53	48	68	58																																																																																						
10	66	56	48	45	65	55																																																																																						



©2011 Philips Omega
 All rights reserved.
 776 South Green Street • Tupelo, MS 38804
 p. 800.234.1890 • f. 662.841.5501
 www.omegalighting.com
 Canadian Division
 189 Bullock Drive • Markham, Ontario L3P 1W4
 p. 905.294.9570 • f. 905.294.9811

Contact Factory for Additional Configurations.

Specifications are subject to change without notice.

Some luminaires use fluorescent or high intensity discharge (HID) lamps that contain small amounts of mercury. Such lamps are labeled, "Contain Mercury" and/or the symbol "HG". Lamps that contain mercury must be disposed of in accordance with local requirements. Information regarding lamp recycling and disposal can be found at www.lamprecycle.org

