

NITE BRITES

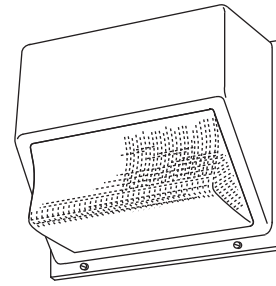
JOB NAME _____

TYPE _____

WLL-LARGE WALL LIGHT

150-400 watt Metal Halide
200-400 watt High Pressure Sodium
200-400 watt Pulse Start Metal Halide
55-165 watt Induction

The Large Wall Light is ideal for general and security lighting in areas requiring high light levels at higher mounting heights. Use for exterior applications such as retail buildings, residential complexes, educational facilities, hotels, tunnels, underpasses, warehouses and industrial applications.



ORDERING MATRIX

SAMPLE CATALOG NUMBER: WLL320PMT-PSC-LP

WLL	□	□	□	-	□
FIXTURE WLL	LAMP SOURCE			OPTIONS (add as suffix)	
	M - Metal Halide S - High Pressure Sodium P - Pulse Start Metal Halide (Ballast option must also be specified) N - Induction			CUL - UL Listing to meet CSA standards HR - Hot Restrike ³⁴ LP - Lamp with fixture PCR - Photo Control Receptacle ¹³ PE - Photo Control (not available in 480 V) PSC - Pulse Start CWA Ballast Q - Quartz Standby ³⁹ QEM - Quartz Emergency ⁴⁰ QTD - Quartz Time Delay ³⁹ WDF - Wired Double Fuse ⁴⁵ WSF - Wired Single Fuse ⁴⁶	
	WATTAGE			VOLTAGE	
	055 - 55 ^{91, 92} 085 - 85 ^{91, 92} 165 - 165 ^{91, 92} 175 - 175 ^{1, 33} 200 - 200 ³¹ 250 - 250 320 - 320 ³⁰ 350 - 350 ³⁰ 400 - 400			48 - 480 MT - 120/208 240/277 TT - 120/277 347 5T - 120/208 240/277 480 ⁹⁸	

ACCESSORIES (order separately)

- FDF - Double Fuse Holder only
- FSF - Single Fuse Holder only
- GSWLL - Glare Shield
- VCWLL - Cutoff Visor
- VSWLL - Vandal Shield
- WGWLL - Wire Guard
- PC-MT - Photo Control Twist Lock multi-volt (Must have PCR option)
- PC-48 - Photo Control Twist Lock 480 volt (Must have PCR option)
- PCR-SC - PCR Shorting Cap
- WLS-PEC12 - Photo Control 120 volt
- WLS-PEC27 - Photo Control 208-277 volt
- WLL-PMK - Pole Mounting Kit
- TP - Tamper Proof

(For additional descriptions of Wall Light accessories refer to sheet number OA-50030.2)

Footnotes:

- ¹Metal Halide only.
- ¹³Order Twist Lock Photo Control separately.
- ³⁰Pulse Start Metal Halide only.
- ³¹Not available in standard Metal Halide.
- ³³Not available in Pulse Start Metal Halide.
- ³⁴Available in 150 High Pressure Sodium only.
- ³⁹Pre-wired by factory.
- ⁴⁰Requires 120 volt secondary power supply.
- ⁴⁵Use with 208, 240 and 480 volt.
- ⁴⁶Use with 120, 277 and 347 volt.
- ⁹¹Induction Lamp Only.
- ⁹²120 through 277 volt only.
- ⁹⁸Available in 250 or 400 watt.

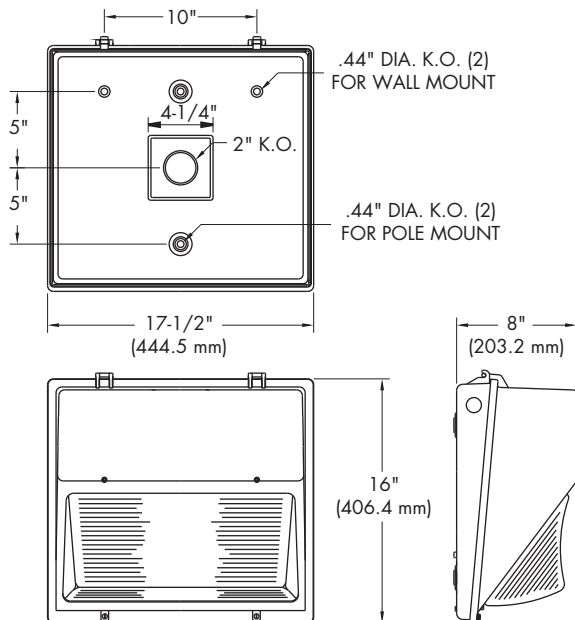
General Notes:

- Mogul base lamp only.
- All options are factory installed.
- All accessories are field installed.

Data subject to change without notice.

Warning: Refer to and follow the lamp manufacturer's warnings and instructions.

DIMENSIONS



WEIGHT = 37 lbs. (max.)

ENERGY DATA

HIGH PRESSURE SODIUM

CWA BALLAST INPUT WATTS

- 200 watt-240 watts
- 250 watt-295 watts
- 310 watt-365 watts
- 400 watt-464 watts

METAL HALIDE

HX BALLAST INPUT WATTS

- 150 watt-189 watts
- CWA BALLAST INPUT WATTS
- 175 watt-210 watts
- 250 watt-285 watts
- 400 watt-485 watts

PULSE START METAL HALIDE

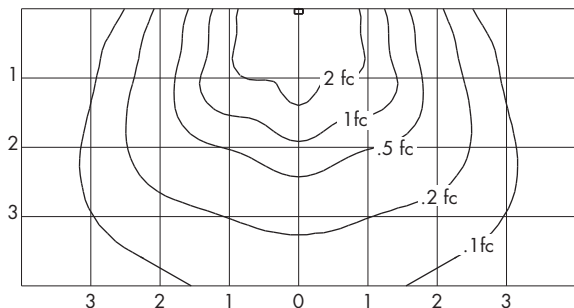
CWA BALLAST INPUT WATTS

- 200 watt-232 watts
- 250 watt-288 watts
- 320 watt-368 watts
- 350 watt-400 watts
- 400 watt-452 watts

INDUCTION

- 55 watt-57 watts
- 85 watt-89 watts
- 165 watt-190 watts

PHOTOMETRICS



UNITS SHOWN IN TERMS OF MOUNTING HEIGHT
INITIAL FOOTCANDLES SHOWN

CATALOG NUMBER: WLL400M
 TEST NUMBER: 13230
 LAMP: METAL HALIDE
 WATTAGE: 400
 LUMENS: 40,000
 TILT ANGLE: 0°
 MOUNTING HEIGHT: 25 FEET

LIGHT LEVEL MULTIPLYING FACTORS	
MOUNTING HEIGHT	MULTIPLIER
40'	0.39
35'	0.51
30'	0.69
25'	1.00
20'	1.56
15'	2.77

ADDITIONAL TEST NUMBERS

DESCRIPTION/CATALOG NUMBER	TEST NUMBER
WLL250M	13232
WLL175M	13235
WLL400S	13222
WLL250S	13224
WLL150S	13226

PRODUCT FEATURES

Third party certified to meet UL1598 standards for wet location, 25°C ambient, and feed-through wiring for all lamp wattages listed.

1. Heavy duty two piece die cast aluminum housing is top hinged for ease of maintenance. Two captive stainless steel door fasteners.
2. 3/4" threaded conduit top entry with plug, and 3/4" knock outs on each side for surface conduit entry.
3. All electrical components in front housing with quick disconnect for ease of installation and service. Lightweight back plate is easily attached to wall, and quick disconnect eases front housing installation.
4. Computer designed and precision formed specular aluminum reflector.
5. Gaskets are long lasting silicone rubber.
6. Dark bronze polyester powder finish for excellent impact, corrosion, and UV resistance.
7. Clear prismatic borosilicate glass refractor is thermal and shock resistant.

